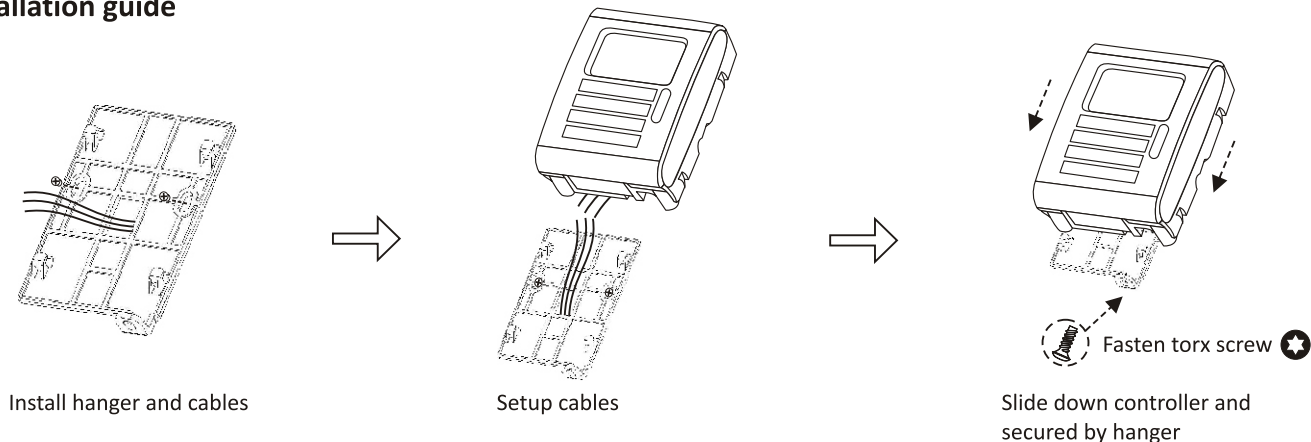


A. Package content

- Controller x 1, wall hanger x 1, warranty card x 1, user manual x 1, kit pack x 1
- Kit pack : screw x 3, screw anchors x 3, torx screw x 2, diode (1N4004) x 1, screwdriver x 1
- 9 pin cable x 1, 8 pin cable x 1, 3 pin cable x 1, 2 pin cable x 1

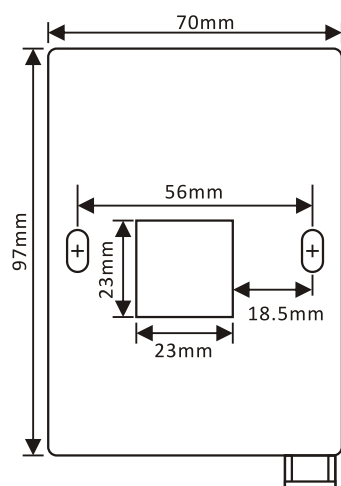
B. Installation guide



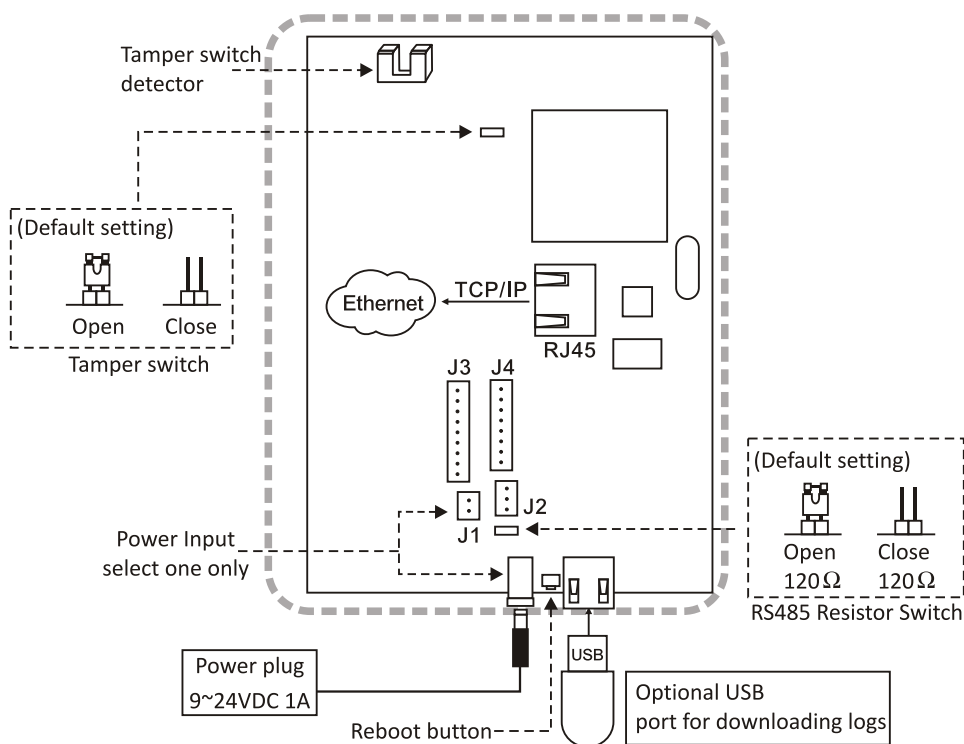
C. Specification

- Dimension : 130 x 100 x 52 mm
- Voltage range : 9 ~ 24 VDC
- Current : Max 1A
- Wiegand range : Max 80M
- TCP/IP range : Max 100M
(add hub to extend)
- RS485 range : Max 1000M
- Recommend RVSP shielded twisted pair RS485 cable

■ Back cover dimension



D. Controller introduction

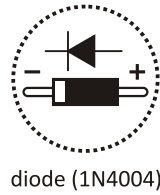
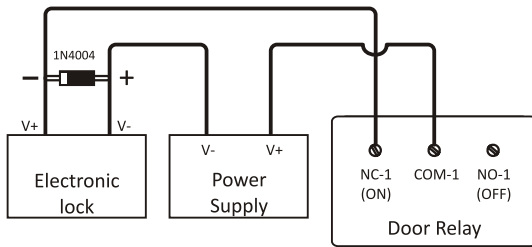


E. Enter administrator mode guide :

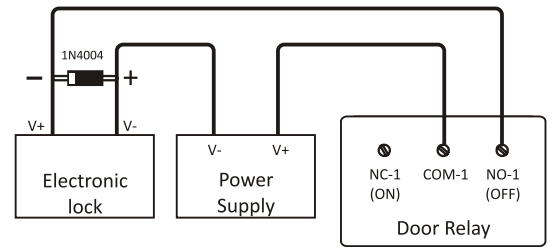
- Press F1 + F1 → enter default password 111111 → press # (Yes = # ; No = *)
- Add user
Advance setup → user → add user single / continuous → enter UID → register card if any → register fingerprint if any → register password if any
- Delete user
Advance setup → user → delete user → present card or enter UID → press #
- Setup IP address
Advance setup → setting → IP config → enter IP / subnet / gateway
- Setup date&time
Advance setup → setting → date & time → enter time HH/MM/SS (24hr) → press # → enter date YY/MM/DD
(ex : 2010/6/30) = 100630 → press #

Electronic lock and door relay connection

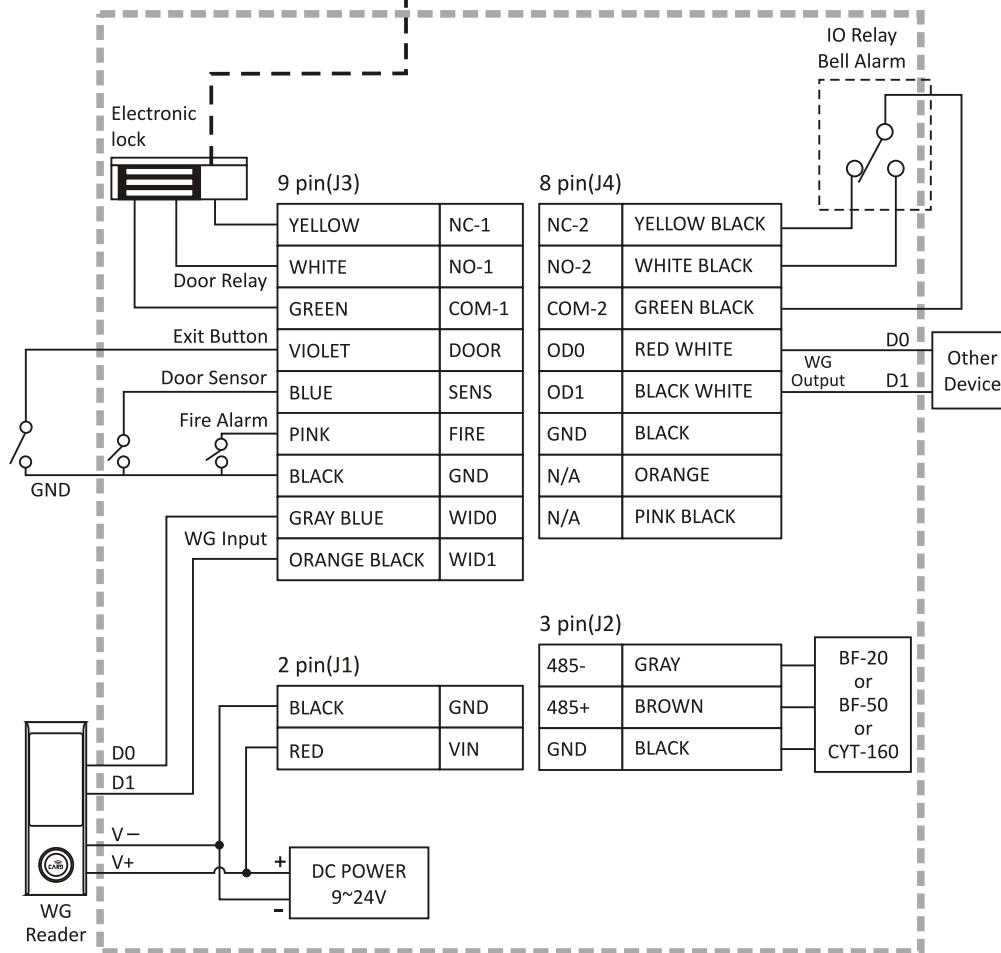
- Electronic Fail Safe mode



- Electronic Fail Secure mode



F. Cable diagram



G. Cable description

9 pin(J3)

NC-1	YELLOW	Door Relay
NO-1	WHITE	
COM-1	GREEN	
DOOR	VIOLET	Exit Button
SENS	BLUE	Door Sensor
FIRE	PINK	Fire Alarm
GND	BLACK	GND
WID0	GRAY BLUE	WG Input
WID1	ORANGE BLACK	

8 pin(J4)

NC-2	YELLOW BLACK	IO Relay (Hard Alarm)
NO-2	WHITE BLACK	
COM-2	GREEN BLACK	
OD0	RED WHITE	WG Output
OD1	BLACK WHITE	
GND	BLACK	GND
N/A	ORANGE	N/A
N/A	PINK BLACK	

3 pin(J2)

485-	GRAY	For Relay Box BF-20 / BF-50 or CYT-160 RS485 Structure
485+	BROWN	
GND	BLACK	

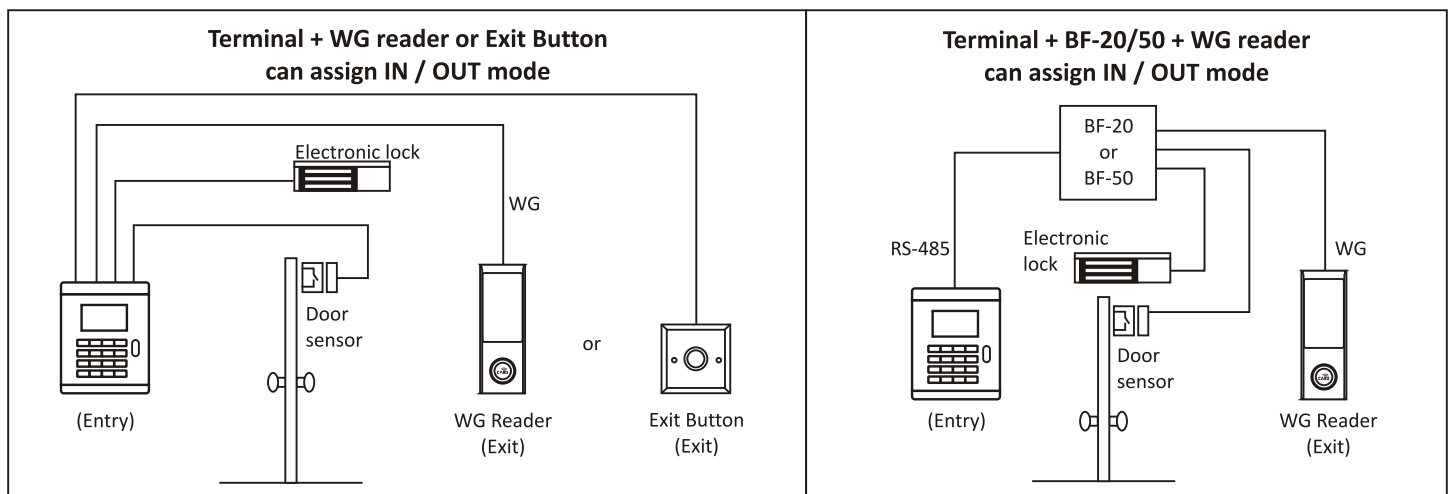
2 pin(J1)

GND	BLACK	Power Input 9 ~ 24 VDC 1A
VIN	RED	

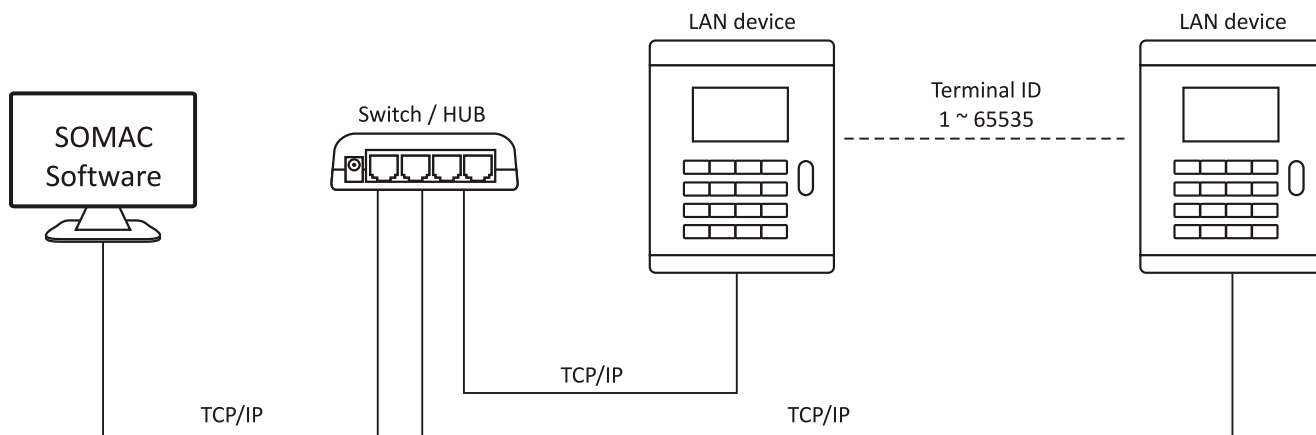
Note :

- Door sensor mode default as N/A (can log into device's WebServer to enable it)
WebServer → door setup → door sensor mode → select normal
- When connecting wiegand reader, please short wiegand reader's GND with terminal

H. Application structure



TCP/IP LAN Structure (default structure)



RS485 Structure Max 16 devices (require CYT-160)

Enable RS485 structure guide :

- Enter administrator mode Press F1 + F1 → enter default password 111111 → press # (Yes = # ; No = *)
- Select quick setup → press # to set link mode → press * to enable RS485 structure → set terminal ID → enable bypass mode or not → press # to save setting

Please note :

- Under RS485 structure, device does not support relay box (BF-20 or BF-50)
- Terminal ID is unique, please avoid duplication
- Must add 120Ω resistor at CYT-160 (recommend add another 120Ω resistor at furthest 485 mode device)

